

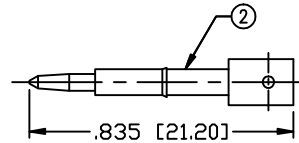
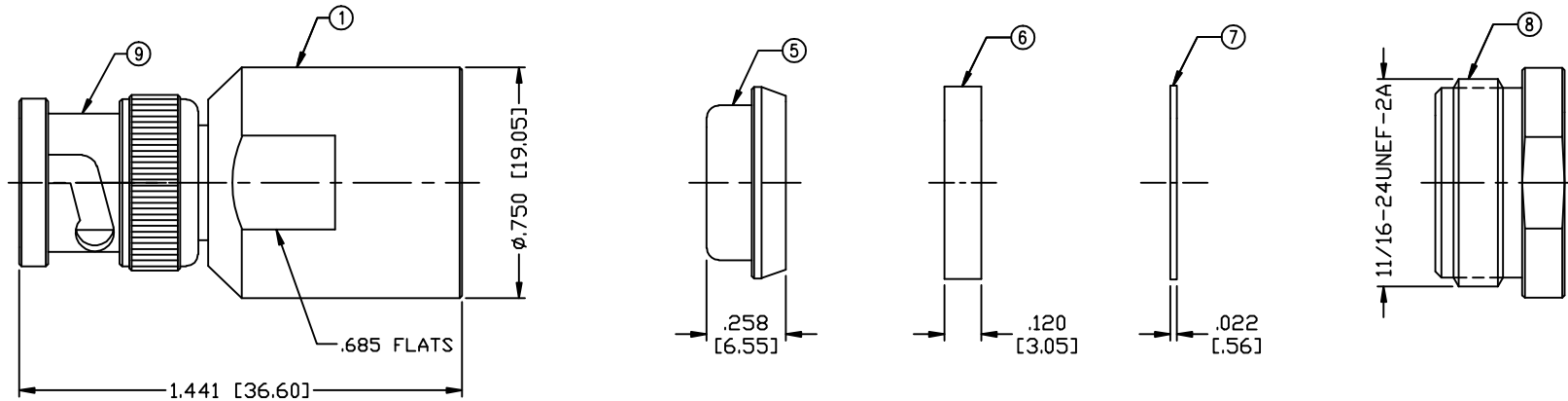
THIS DRAWING CONTAINS INFORMATION PROPRIETARY TO RF INDUSTRIES,
 ANY UNAUTHORIZED USE OF THIS DRAWING IS EXPRESSLY PROHIBITED
 WITHOUT WRITTEN PERMISSION FROM RF INDUSTRIES.
 ANY VIOLATION IS PUNISHABLE UNDER U.S. COPYRIGHT LAWS.

ALL DIMENSIONS ARE REFERENCE ONLY

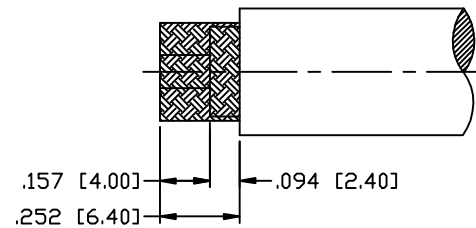
PART NO.

RFB-1101-1SI

| REV | DESCRIPTION | DWN | DATE | APPROVED |
|-----|---|-----|---------|----------|
| D | CHANGE SHELL, BODY, PIN & DIE DIMENSIONS | CZS | 4/7/99 | R. RICE |
| E | LENGTHEN DIE, PIN, & BODY / ADD DIM TO CLAMP | CZS | 6/23/99 | R. RICE |
| F | CHANGE OVERALL DIMENSIONS, STRIPING & FORMAT | CZS | 8/20/01 | JDMc |
| G | ADDED SOLDER ONLY NOTE & UPDATED ELECTRICAL SPECS | CZS | 8/8/06 | JDMc |



RECOMMENDED CRIMP DIE: .128"
 "SOLDER ONLY" FOR RG-8/U TYPE CABLE



RECOMMENDED STRIPPING DIMENSIONS

SPECIFICATIONS:

IMPEDANCE: 50 Ohms
 FREQUENCY RANGE: 0-4 GHz
 VSWR: 1.3 Max.
 WORKING VOLTAGE: 500 V rms @ sea level
 TEMPERATURE RANGE: -65°C TO 85°C
 INSULATION RESISTANCE: 5k M Ohms min.
 FOR BELDEN 8214, 9913, 9913F, 9914, RG-8/U TYPE,
 CAROL C1180, TIMES AA-5886 & LMR-400 CABLE

| | | | | | | |
|----|-------------|-----|----------|---------------|-----------|------|
| 1 | BODY | 1 | BRASS | SILVER, 80 μ" | 000486 | |
| 2 | PIN | 1 | BRASS | GOLD, 3 μ" | | |
| 3 | DIELECTRIC | 1 | PTFE | --- | | |
| 4 | PRESS FIT | 1 | BRASS | SILVER, 80 μ" | | |
| 5 | CLAMP | 1 | BRASS | SILVER, 80 μ" | | |
| 6 | GASKET | 1 | RUBBER | --- | | |
| 7 | WASHER | 1 | BRASS | SILVER, 80 μ" | | |
| 8 | BACK NUT | 1 | BRASS | SILVER, 80 μ" | | |
| 9 | SHELL | 1 | BRASS | SILVER, 80 μ" | | |
| 10 | WASHER | 1 | BRASS | SILVER, 80 μ" | DRAWN | |
| 11 | SPRING | 1 | SK-5 | SILVER, 80 μ" | C. ZUNIGA | |
| 12 | LOCK WASHER | 1 | BRASS | SILVER, 80 μ" | CHECKED | |
| 13 | GASKET | 1 | RUBBER | --- | ORJ DRAWN | |
| 14 | | | | | P. BREAUX | |
| # | DESCRIPTION | QTY | MATERIAL | FINISH | APPROVALS | DATE |

UNLESS OTHERWISE SPECIFIED:

- REMOVE ALL BURRS
- BREAK ALL CORNERS & EDGES .005 R. MAX.
- CHAMFER 1ST & LAST THREADS 45°
- SURFACE ROUGHNESS 63 FINISH MIL-STD-10
- DIAMETERS ON COMMON CENTERS TO BE CONCENTRIC WITHIN .002 T.I.R.
- ALL DIMENSIONS ARE AFTER PLATING.

DIMENSIONS ARE IN INCHES
 AND [MILLIMETERS]

UNLESS OTHERWISE NOTED
 TOLERANCES ARE:

| DECIMALS | DIAMETER |
|-----------------|-----------------|
| .xxx±.003 [.08] | .xxx±.001 [.03] |
| .xx±.005 [.13] | .xx±.003 [.08] |

RF connectors
 DIVISION OF RF INDUSTRIES, LTD.

7610 MIRAMAR RD
 SAN DIEGO, CA 92126
 (858) 549-6340
 (858) 549-6345 FAX

BNC MALE, CLAMP

| SIZE | CABLE GROUP | DWG NO. | REV |
|------------|-------------|------------------|--------------|
| A | I | RFB-1101-1SI | G |
| SCALE: NTS | | CAD FILE OUTLINE | SHEET 1 OF 1 |